

# Parts Catalogue

for model  
**MP1 504 SE**

- Use GLOBAL GARDEN PRODUCT Genuine Spare Parts specified in the parts list for repair and/or replacement.
- The contents described in the parts list may change due to improvement.
- The drawings of the spare parts are only indicative and might not represent the part in question exactly.
- The indications "right" - "left" - "front" - "rear" refer to the position of the operator when using the machine.
- When placing orders of parts for repair and/or replacement, make sure that the illustrated parts list is the one applying to the machine's year of manufacture, as shown on the identification plate attached to the machine.

© Copyright 2015 Global Garden Products

All content is subject to copyright by Global Garden Products and may not be reproduced in whole or in part by any means, electronic or otherwise, without prior written approval.

THIS INFORMATION IS NOT INTENDED FOR SALE OR RESALE, AND THIS NOTICE MUST REMAIN ON ALL COPIES.



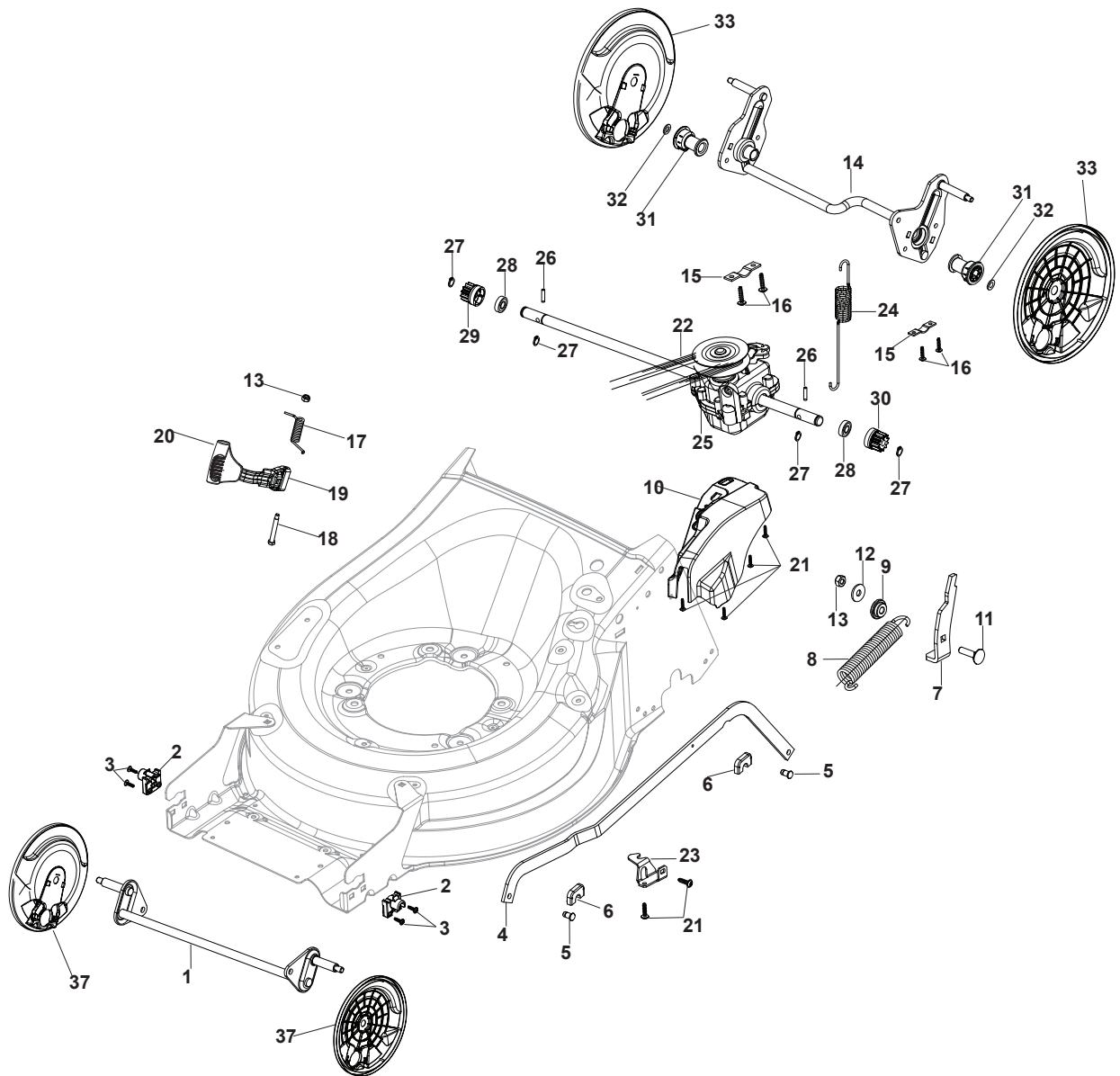


Fig.	Q.ty	Part No	Description	Notes
1	1	381302881/0	Front Wheel Axle	
2	2	322785305/0	Support	
3	4	112728697/0	Screw	
4	1	322869695/0	Wheels Control Rod	
5	2	122519820/0	Pin	
6	2	112436051/0	Plate	
7	1	322778475/0	Bracket	
8	1	122450480/0	Spring	
9	1	122517873/0	Pin	
10	1	322055329/0	Cover	
11	1	112815270/0	Screw	
12	1	112523040/0	Washer	
13	2	112154510/0	Nut	
14	1	381302895/0	Rear Wheel Axle	
15	2	322545152/0	Plate	
16	4	112728698/0	Screw	
17	1	122446192/0	Spring	
18	1	122534131/0	Pin	
19	1	322322855/0	Wheels Adjusting Lever	
20	1	322394506/0	Knob	
21	5	112728699/0	Screw	
22	1	135063900/0	Belt	
23	1	322778473/0	Bracket	
24	1	122450478/0	Spring	
25	1	181003115/0	Gear Box	
26	2	122753000/0	Pin	
27	4	112608600/0	Seeger	
28	2	119216035/0	Bearing	
29	1	122570110/1	Pinion Right	
30	1	122570120/1	Pinion Left	
31	2	322042066/0	Bushing	
32	2	112521371/0	Washer	
33	2	322600205/1	Protection, Wheel	
34	2	322600247/0	Protection, Wheel	

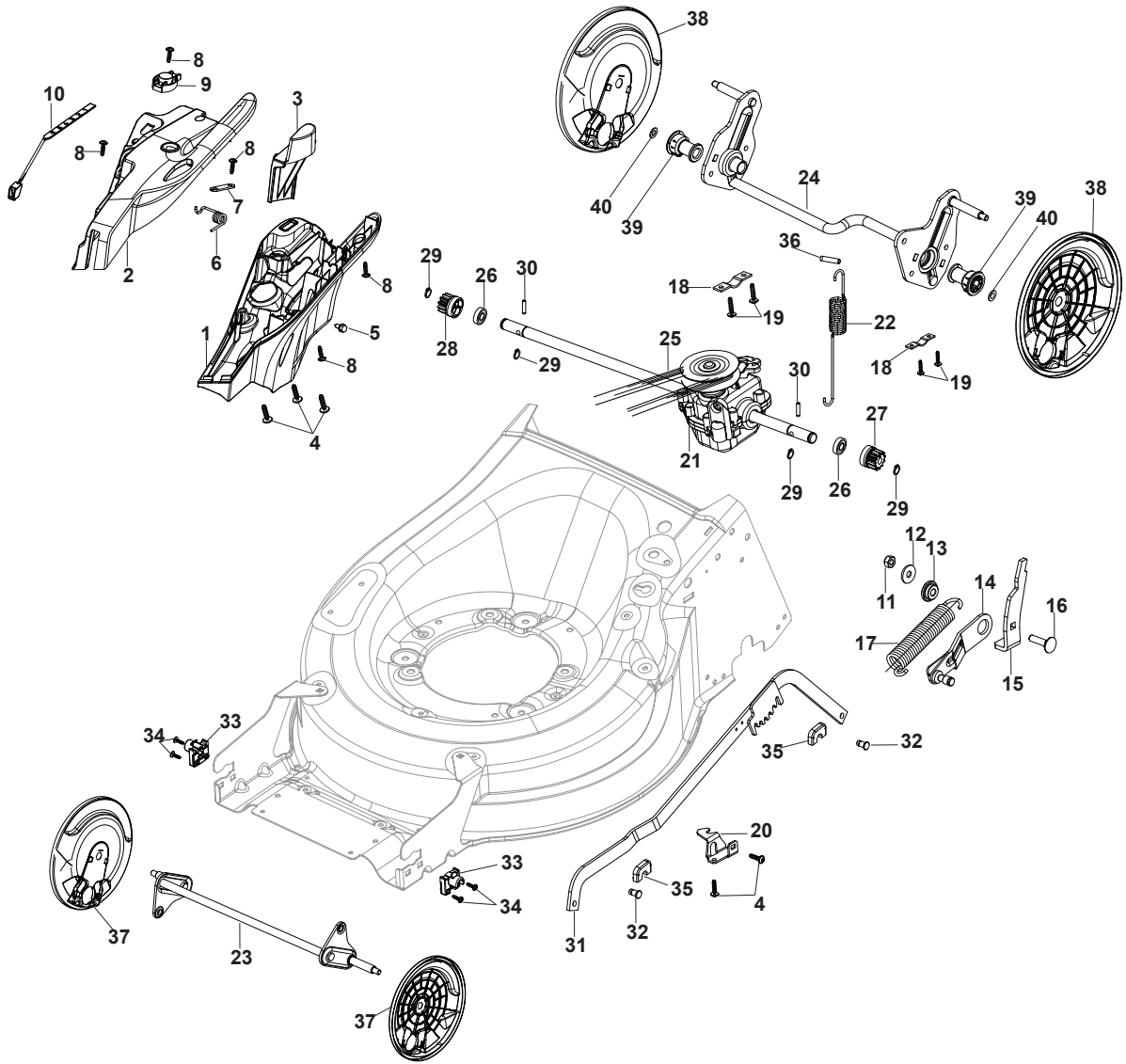
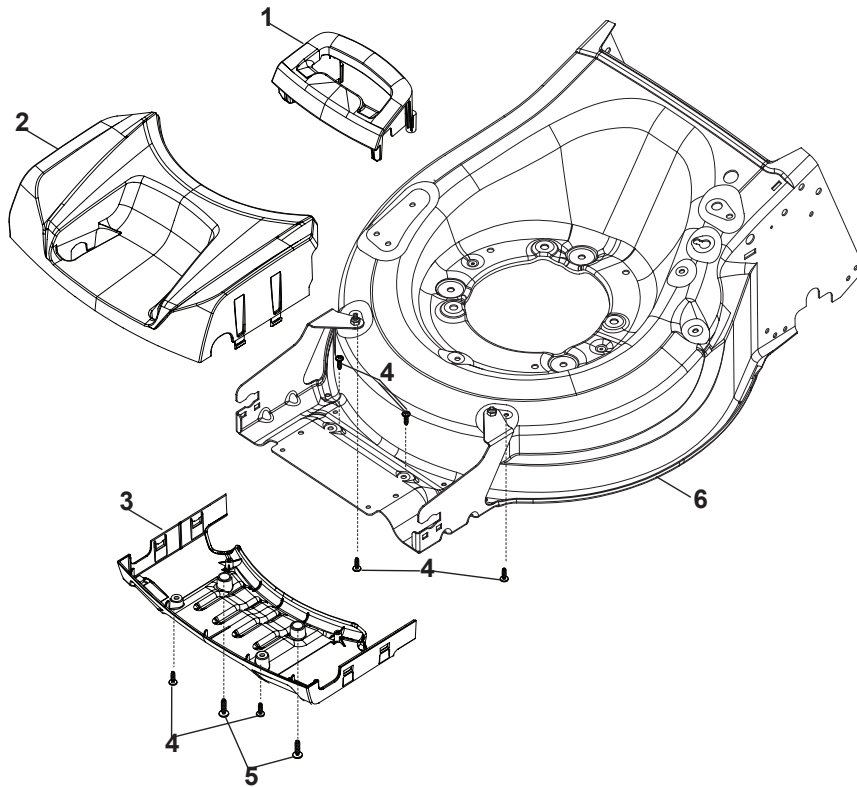




Fig.	Q.ty	Part No	Description	Notes
1	1	322055262/0	Lower Cover	
2	1	322055263/0	Upper Cover	
3	1	322602026/0	Button	
4	5	112728699/0	Screw	
5	1	125943004/0	Screw	
6	1	122450477/0	Spring	
7	1	322981471/1	Plate	
8	5	112728697/0	Screw	
9	1	322602027/0	Lens	
10	1	322602028/0	Visualizer	
11	1	112154510/0	Nut	
12	1	112523040/0	Washer	
13	1	122517873/0	Pin	
14	1	381003475/0	Lever, Height Adjustment	
15	1	322778475/0	Bracket	
16	1	112815270/0	Screw	
17	1	122450480/0	Spring	
18	2	322545152/0	Plate	
19	4	112728698/0	Screw	
20	1	322778473/0	Bracket	
21	1	181003114/0	Gear Box	
22	1	122450478/0	Spring	
23	1	381302881/0	Front Wheel Axle	
24	1	381302891/0	Rear Wheel Axle	
25	1	135063900/0	Belt	
26	2	119216035/0	Bearing	
27	1	122570110/1	Pinion Right	
28	1	122570120/1	Pinion Left	
29	4	112608600/0	Seeger	
30	2	122753000/0	Pin	
31	1	381002047/0	Wheels Control Rod	
32	2	122519820/0	Pin	
33	2	322785305/0	Support	
34	4	112728697/0	Screw	
35	2	112436051/0	Plate	
37	2	322600247/0	Protection, Wheel	
38	2	322600205/1	Protection, Wheel	
39	2	322042068/0	Bushing	
40	2	112521371/0	Washer	



# MP1 504 SE

WBH Petrol Steel Mask

Issue 11 - 2015

Fig.	Q.ty	Part No	Description	Notes
1	1	322393741/0	Handle	
2	1	322226214/0	Mask, White	
3	1	322500110/0	Front Combi	
4	6	112728697/0	Screw	
5	2	112728699/0	Screw	
6	1	381004786/0	White Deck	
6	1	381004787/0	White Deck	Side Discharge

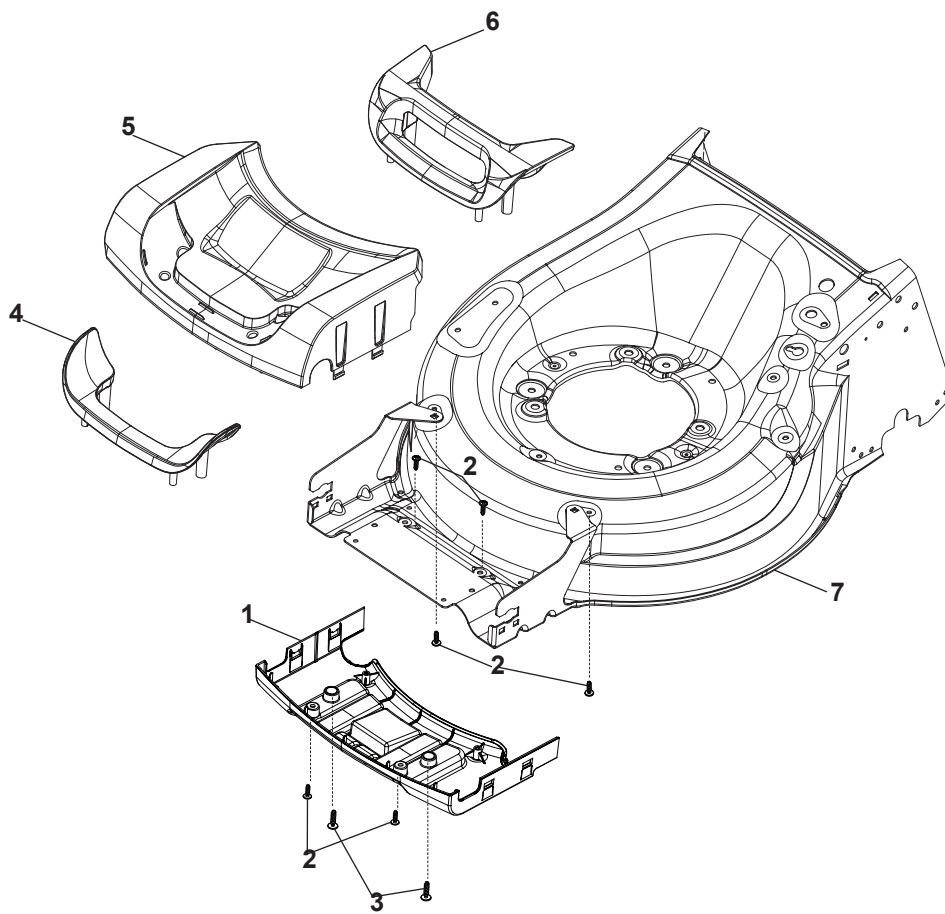


Fig.	Q.ty	Part No	Description	Notes
1	1	322500111/0	Front Combi	
2	6	112728697/0	Screw	
3	2	112728699/0	Screw	
4	1	322055524/0	Insert	
5	1	322226215/0	Mask, Red	
6	1	322393742/0	Handle	
7	1	381004776/0	Red Deck	
7	1	381004777/0	Red Deck	Side Discharge

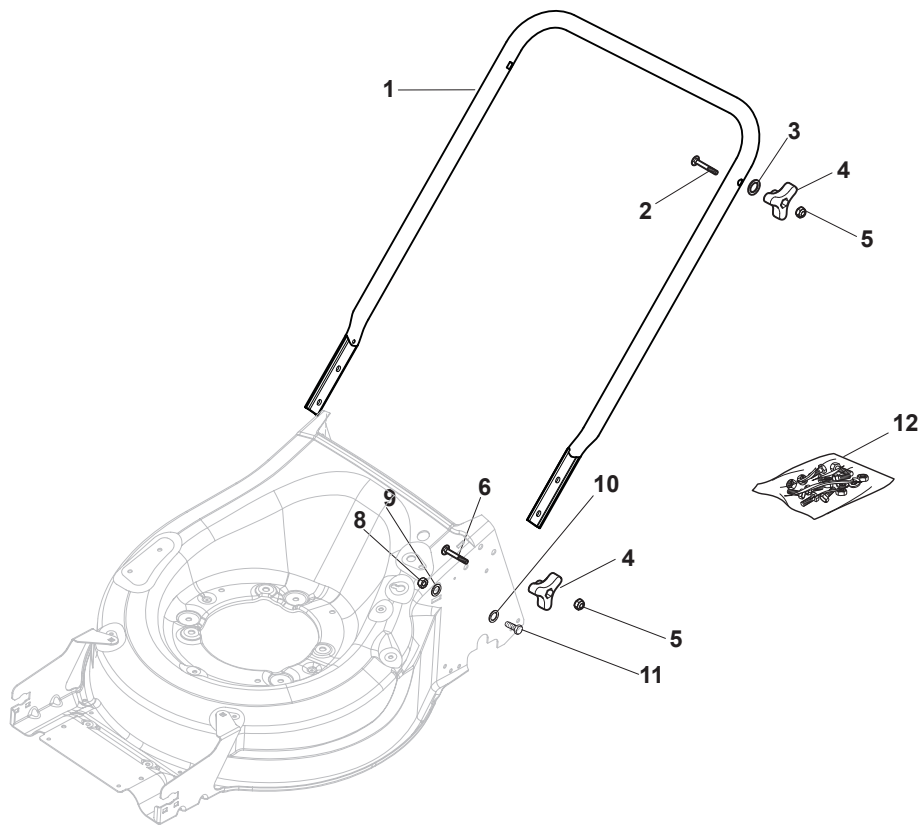
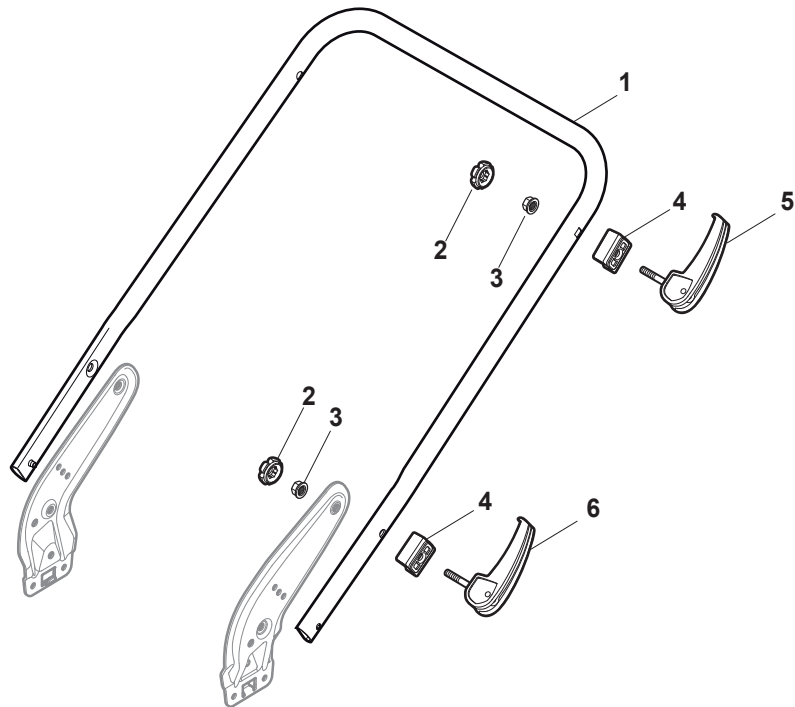


Fig.	Q.ty	Part No	Description	Notes
1	1	381006785/0	Handle Lower Part	Black
2	2	112819110/0	Screw	
3	2	122671651/0	Washer	
4	2	122399900/0	Knob	
5	2	112293200/0	Nut	
6	2	112818900/0	Screw	
8	2	112155000/0	Nut	
9	2	112521350/0	Washer	
10	2	112369500/0	Elastic Washer	
11	2	112760605/0	Screw	
12	1	381008730/0	Outfit	Black





# MP1 504 SE

WBH Petrol Steel Handle, Lower Part

Issue 11 - 2015

Fig.	Q.ty	Part No	Description	Notes
1	1	381007563/0	Lower handle	
2	4	122131750/0	Nut	
3	4	322399835/0	Knob	
4	4	322680016/0	Washer	
5	2	381103350/0	Handle	Black
6	2	381003253/0	Handle	Black

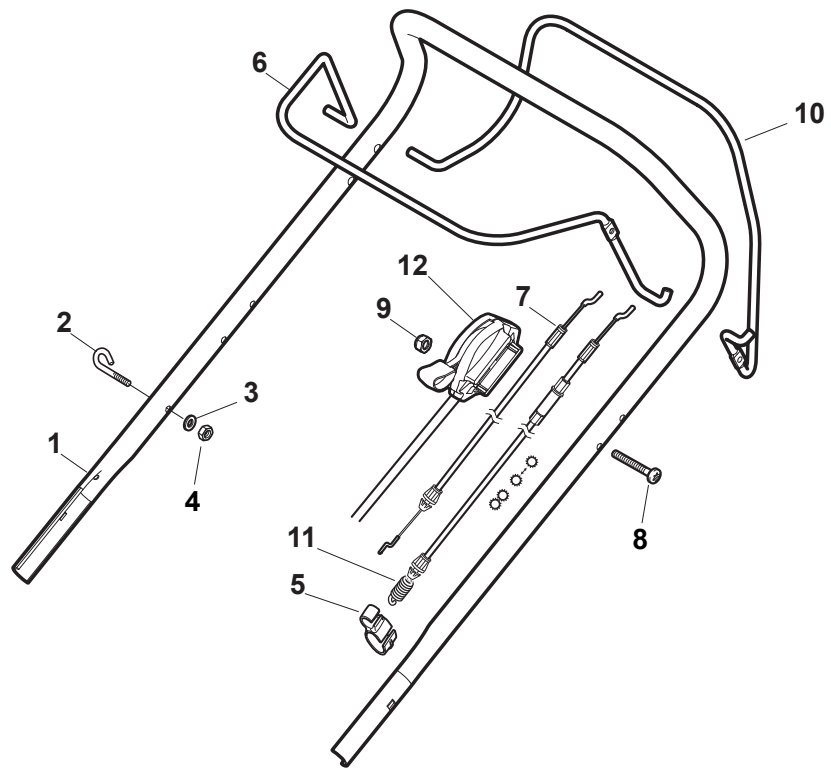


Fig.	Q.ty	Part No	Description	Notes
1	1	381006739/1	Handle, Upper Part	without Sponge
1	1	381006745/1	Handle, Upper Part with sponge handgrip	with Sponge
2	1	122430313/0	Guide Spring	
3	1	112521330/0	Washer	
4	1	112154510/0	Nut	
5	1	118390020/0	Conduit Clip Caproeurope	
6	1	181003363/1	Lever, Engine Brake Black	Black
6	1	381003365/0	Lever, Engine Brake Yellow	Yellow
7	1	181030053/0	Cable, Thread Engine Brake	Handle w/Lever - For B&S 675-750 Engine
7	1	181030053/0	Cable, Thread Engine Brake	Handle w/Knob - For B&S 675
7	1	181030054/0	Cable, Thread Engine Brake	Handle w/Knob - For WBE 140 Engine
7	1	181030054/0	Cable, Thread Engine Brake	Handle w/Lever - For B&S 675E Engine
7	1	181030057/0	Cable, Thread Engine Brake	Handle w/Lever - For B&S 675-750-775 Engine
7	1	181030057/0	Cable, Thread Engine Brake	Handle w/Knob - For B&S 675E
7	1	181030070/0	Cable, Thread Engine Brake	Handle w/Knob - For Honda Engine MP1 55
7	1	181030070/0	Cable, Thread Engine Brake	Handle w/Knob - For WBE0702 Engine
7	1	181030070/0	Cable, Thread Engine Brake	Handle w/Knob - For B&S 625E-850 Engine
7	1	181030087/0	Cable, Thread Engine Brake	Handle w/Knob - For B&S 750-775 Engine
7	1	181030088/0	Cable, Thread Engine Brake	Handle w/Knob - For B&S 550E-625E-675 Engine
7	1	181030088/0	Cable, Thread Engine Brake	Handle w/Knob - For Honda Engine MP1 50
7	1	181030105/0	Cable, Thread Engine Brake	Handle w/Lever - For WBE 140 Engine
7	1	181030106/0	Cable, Thread Engine Brake	Handle w/Lever - For B&S 550E-625E-850 Engine
7	1	181030106/0	Cable, Thread Engine Brake	Handle w/Lever - For WBE0702 Engine
7	1	181030106/0	Cable, Thread Engine Brake	Handle w/Lever - For Honda Engine
8	1	112727788/0	Screw	
9	1	112154510/0	Nut	
10	1	181003364/0	Drive Control Lever	Black
10	1	381003366/0	Lever, Driving Yellow	Yellow
11	1	381030104/0	Clutch Cable	
12	1	181005537/0	Throttle Cable	for Handle with Knob
12	1	181005539/0	Throttle Cable	for Handle with Lever

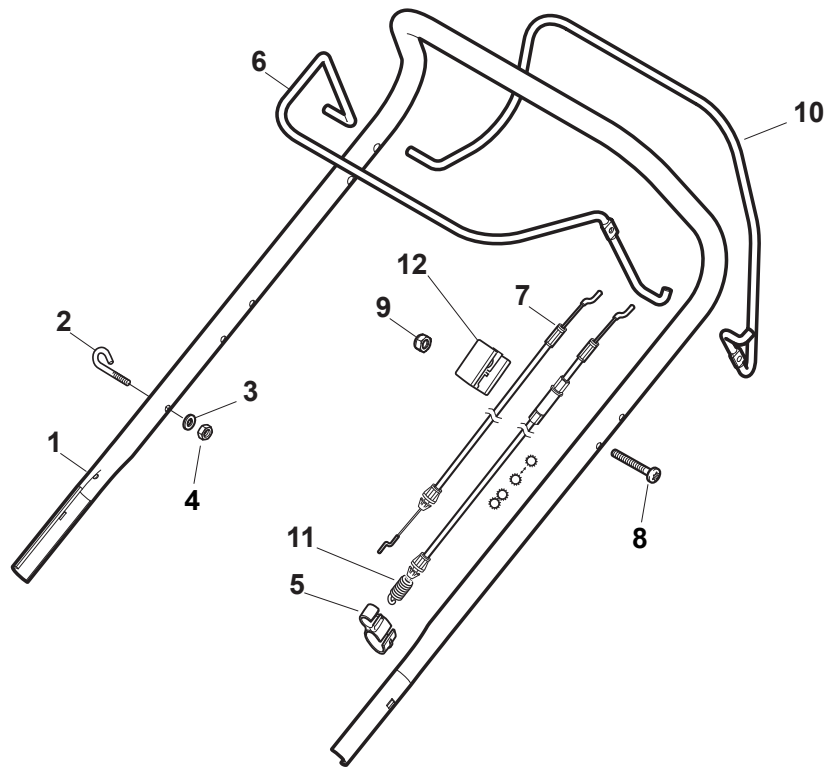


Fig.	Q.ty	Part No	Description	Notes
1	1	381006739/1	Handle, Upper Part	without Sponge
1	1	381006745/1	Handle, Upper Part with sponge handgrip	with Sponge
2	1	122430313/0	Guide Spring	
3	1	112521330/0	Washer	
4	1	112154510/0	Nut	
5	1	118390020/0	Conduit Clip Caproeurope	
6	1	181003363/1	Lever, Engine Brake Black	Black
6	1	381003365/0	Lever, Engine Brake Yellow	Yellow
7	1	181030053/0	Cable, Thread Engine Brake	Handle w/Lever - For B&S 675-750 Engine
7	1	181030053/0	Cable, Thread Engine Brake	Handle w/Knob - For B&S 675
7	1	181030054/0	Cable, Thread Engine Brake	Handle w/Knob - For WBE 140 Engine
7	1	181030054/0	Cable, Thread Engine Brake	Handle w/Lever - For B&S 675E Engine
7	1	181030057/0	Cable, Thread Engine Brake	Handle w/Lever - For B&S 675-750-775 Engine
7	1	181030057/0	Cable, Thread Engine Brake	Handle w/Knob - For B&S 675E
7	1	181030070/0	Cable, Thread Engine Brake	Handle w/Knob - For Honda Engine MP1 55
7	1	181030070/0	Cable, Thread Engine Brake	Handle w/Knob - For WBE0702 Engine
7	1	181030070/0	Cable, Thread Engine Brake	Handle w/Knob - For B&S 625E-850 Engine
7	1	181030087/0	Cable, Thread Engine Brake	Handle w/Knob - For B&S 750-775 Engine
7	1	181030088/0	Cable, Thread Engine Brake	Handle w/Knob - For B&S 550E-625E-675 Engine
7	1	181030088/0	Cable, Thread Engine Brake	Handle w/Knob - For Honda Engine MP1 50
7	1	181030105/0	Cable, Thread Engine Brake	Handle w/Lever - For WBE 140 Engine
7	1	181030106/0	Cable, Thread Engine Brake	Handle w/Lever - For B&S 550E-625E-850 Engine
7	1	181030106/0	Cable, Thread Engine Brake	Handle w/Lever - For WBE0702 Engine
7	1	181030106/0	Cable, Thread Engine Brake	Handle w/Lever - For Honda Engine
8	1	112727783/0	Screw	
9	1	112154510/0	Nut	
10	1	181003364/0	Drive Control Lever	Black
10	1	381003366/0	Lever, Driving Yellow	Yellow
11	1	381030104/0	Clutch Cable	
12	1	322551640/0	Plate	

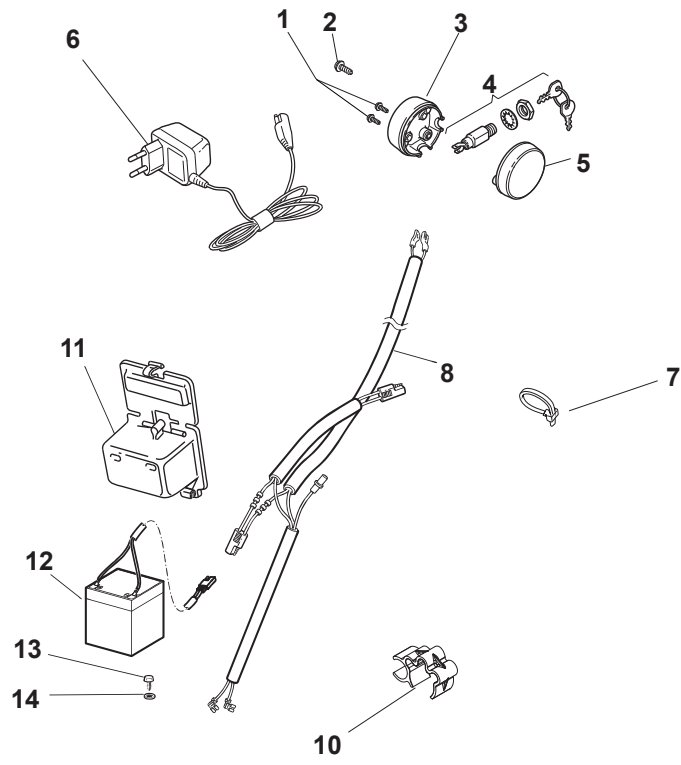


Fig.	Q.ty	Part No	Description	Notes
1	2	112728702/0	Screw	
2	1	112728691/0	Screw	
3	1	322722801/0	Starting Block Outer Half-Bearing	
4	1	118450051/0	Switch	
5	1	322722800/0	Starting Block Inner Half-Bearing	
6	1	118204120/0	Battery Charger	CE plug
6	1	118204136/0	Battery Charger	CE plugg with B&S 775 IS
6	1	118204121/0	Battery Charger	Uk plug
7	1	133320015/0	Fastpoint Clamp Art.0377.Aa00	
8	1	118204196/0	Electric Start Wire	For B&S Engines
10	1	118390021/0	Conduit Clip	
11	1	322109533/0	Battery Holder	
12	1	118120052/0	Battery	
13	1	112728706/0	Screw	
14	1	325160039/0	Spacer	

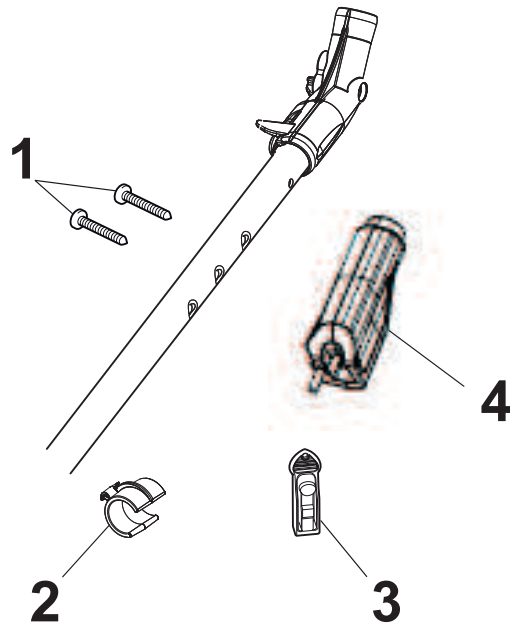
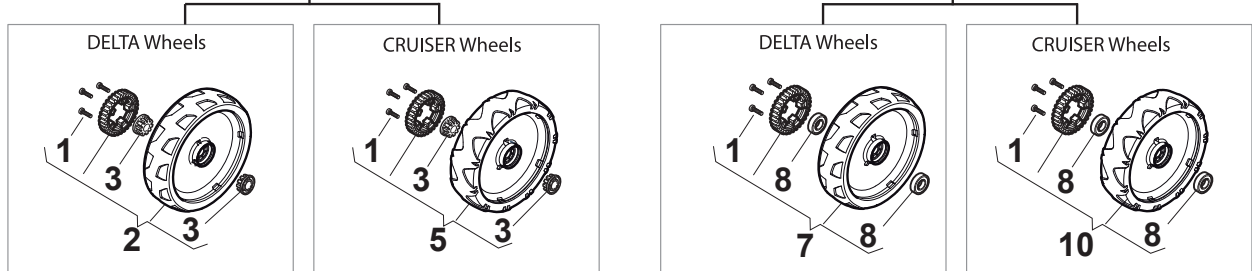
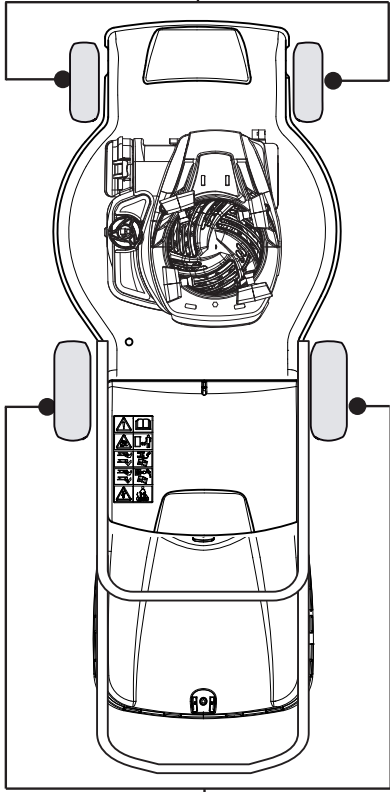
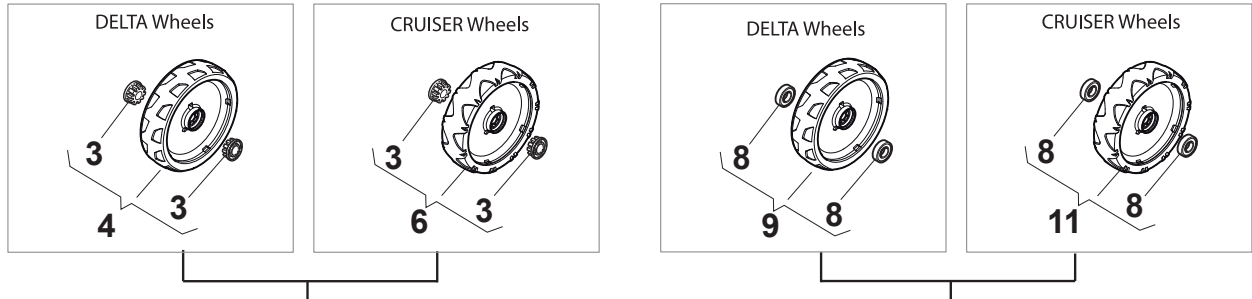




Fig.	Q.ty	Part No	Description	Notes
1	1	112728702/0	Screw	without Varietor
1	1	112728300/0	Screw	with Varietor
2	1	133320022/0	Fastpoint Clamp Art.0384.Aa01	
3	1	322076570/1	Battery Safety Key	
4	1	381600400/0	Switch	

Bushing - Ø180

Ball Bearing - Ø180

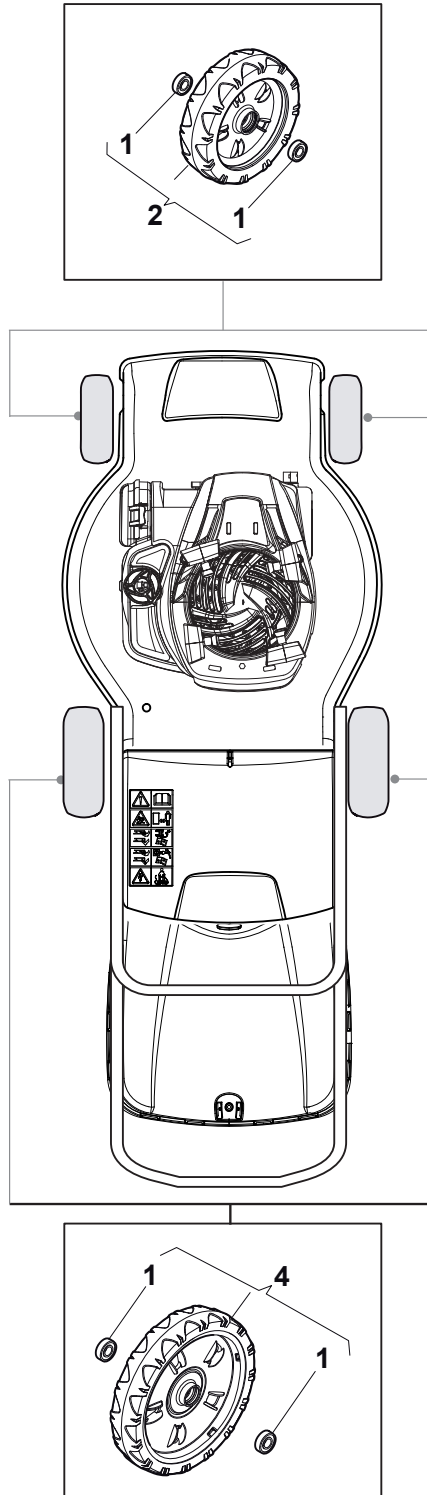


Bushing - Ø240

Ball Bearing - Ø240

Fig.	Q.ty	Part No	Description	Notes
1	6	112728706/0	Screw	
2	2	381007462/1	Wheel	
3	8	322042064/0	Bushing	
4	2	381007442/1	Wheel	
5	2	381007466/1	Wheel	
6	2	381007445/1	Wheel	
7	2	381007463/1	Wheel	
8	8	119216035/0	Bearing	
9	2	381007448/1	Wheel	
10	2	381007467/1	Wheel	
11	2	381007455/1	Wheel	

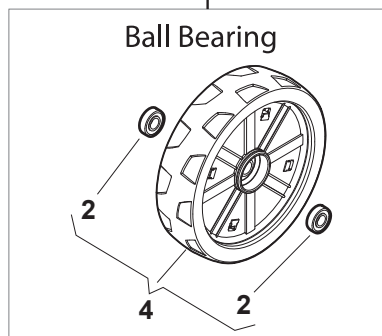
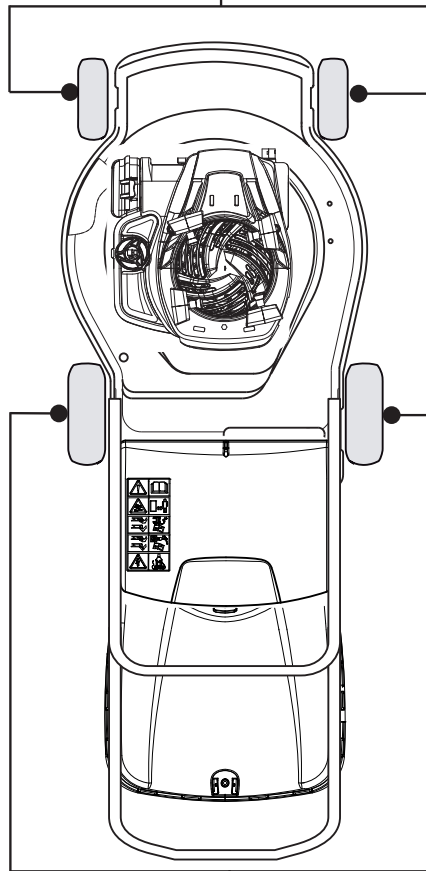
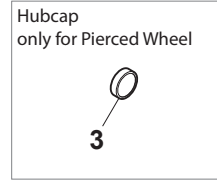
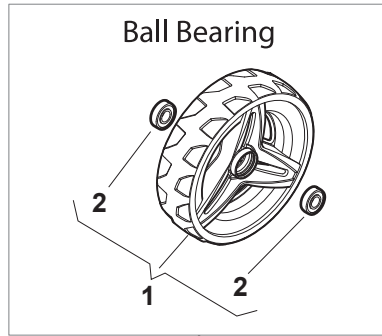
Ball Bearing Ø200 - Wheels NTD



Ball Bearing Ø280 - Wheels NTD

Fig.	Q.ty	Part No	Description	Notes
1	8	119216035/0	Bearing	
2	4	381007416/2	Wheel	
4	2	381007417/2	Wheel	

### DELTA Wheel (Pierced) - Ø 200



### DELTA Wheel - Ø 280

# MP1 504 SE

WBH Petrol Steel **Wheels and Hub Caps**

Issue 11 - 2015

Fig.	Q.ty	Part No	Description	Notes
1	2	381007477/0	Wheel	
2	8	119216035/0	Bearing	
3	2	322110640/0	Hub Cap Grey	
4	2	381007478/1	Wheel	

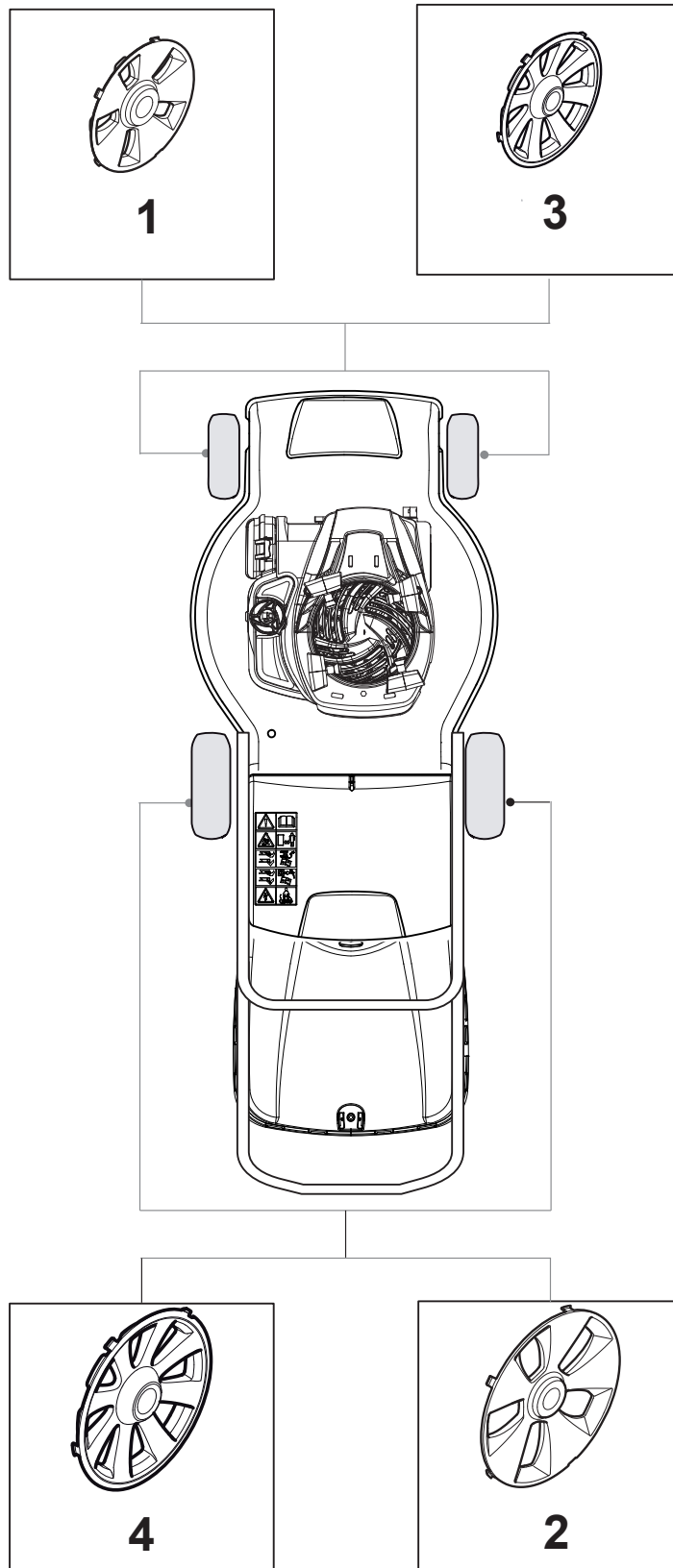




Fig.	Q.ty	Part No	Description	Notes
1	2	322110643/0	Hub Cap Grey	Grey
2	2	322110644/0	Hub Cap Grey	Grey
3	2	322110645/0	Hub Cap Grey	Grey
4	2	322110646/0	Hub Cap Grey	Grey

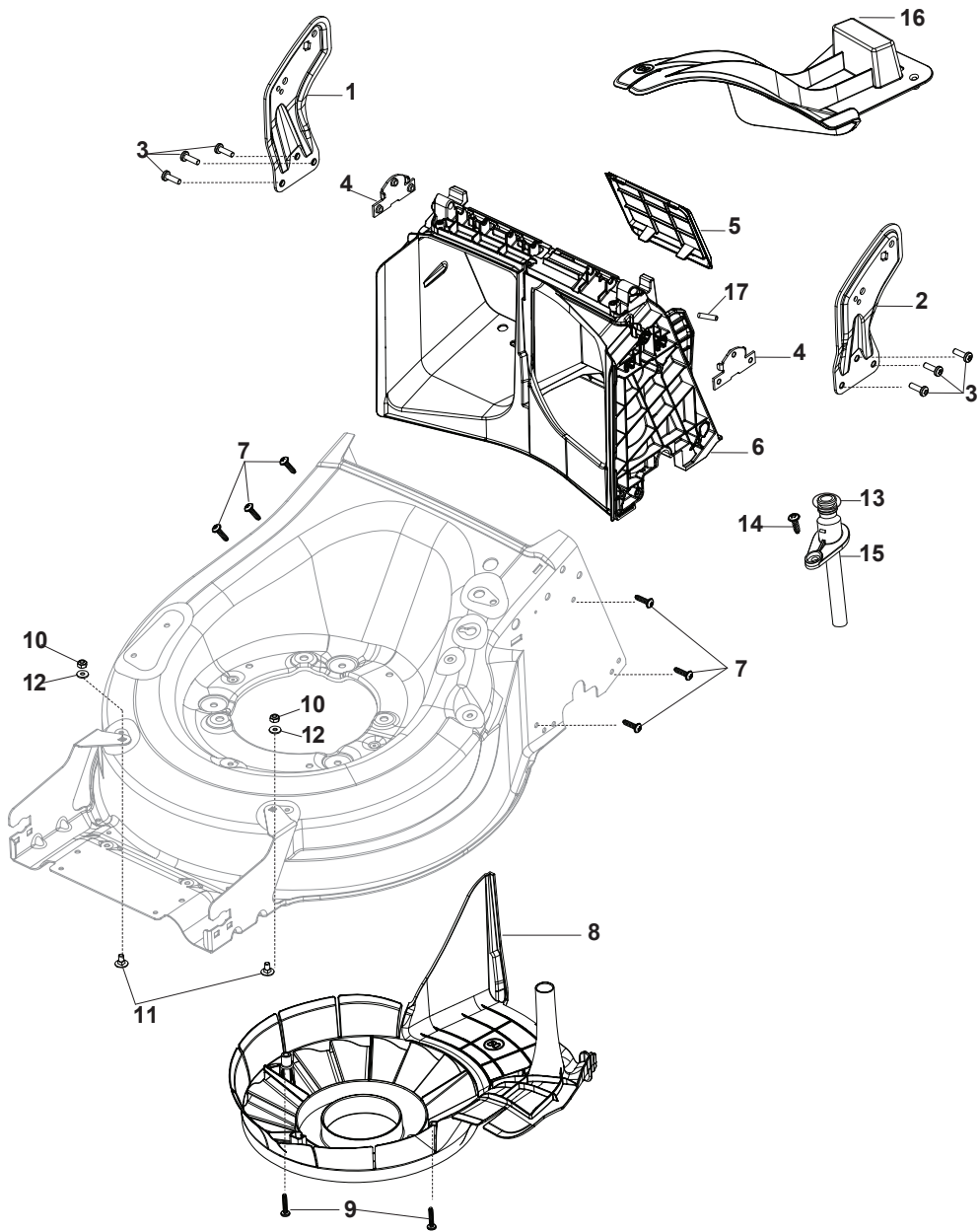


Fig.	Q.ty	Part No	Description	Notes
1	1	381005195/0	Bracket-Rh	
2	1	381005197/0	Bracket-Lh	
3	6	112727801/0	Screw	
4	2	322545213/0	Plate	
5	1	322600310/0	Rear door	Not for TR/E models
6	1	322108316/0	Conveyor	
7	6	112728699/0	Screw	
8	1	322060270/0	Carter Mulching	
9	2	112728530/0	Screw	
10	2	112154510/0	Nut	
11	2	112815200/0	Screw	
12	2	112521330/0	Washer	
13	1	119035000/0	Or Ring	
14	1	112728697/0	Screw	
15	1	322034002/0	Washing Connection	
16	1	322140245/0	Deflector	
17	1	112645708/0	Pin	

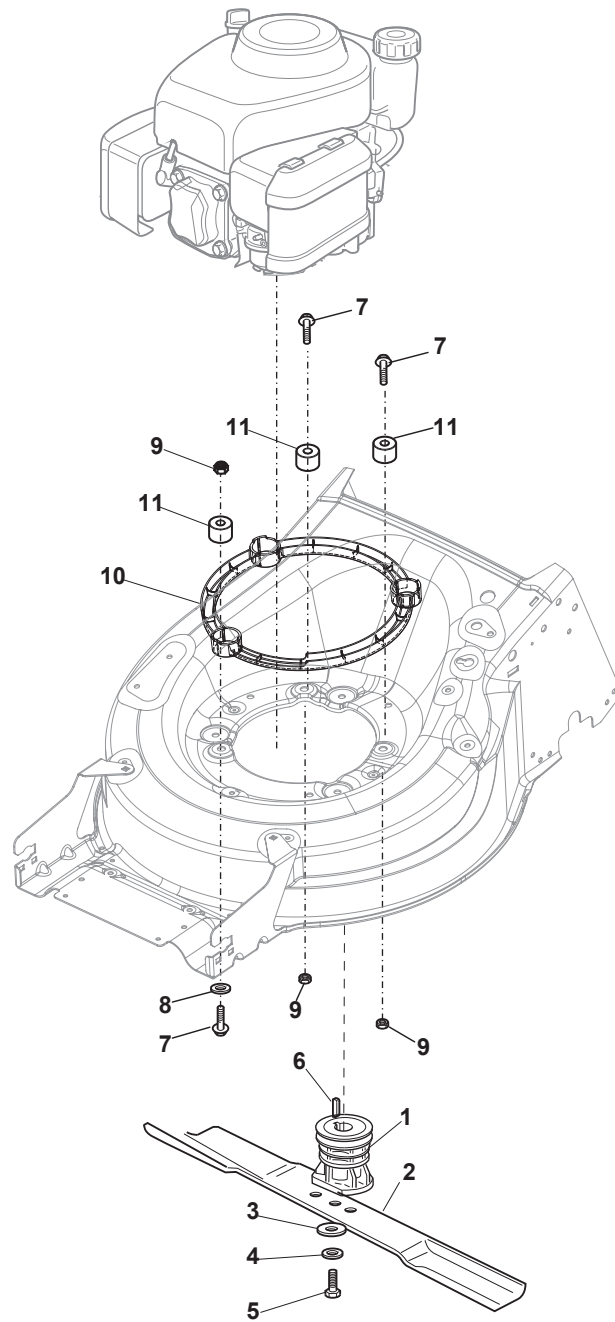


Fig.	Q.ty	Part No	Description	Notes
1	1	122465607/3	Hub With Pulley, Crankshaft Ø 22.2	
2	1	181004366/2	Blade	
3	1	122160400/0	Elastic Disc	
4	1	112523080/0	Washer	
5	1	112735698/0	Screw	
6	1	112139100/0	Feather, Crankshaft Ø 22,2	
7	2	112691700/0	Screw	for B&S 675EX-750EX (MP1 50) and 850E
7	3	112692050/0	Screw	for B&S 750EX (MP1 55)
8	1	112521350/0	Washer	
9	3	112154210/0	Nut	
10	1	322170964/0	Protection	
11	3	122170835/0	Spacer	
12	1	112691700/0	Screw	for B&S 750EX
12	1	112692050/0	Screw	for B&S 675EX and 850E

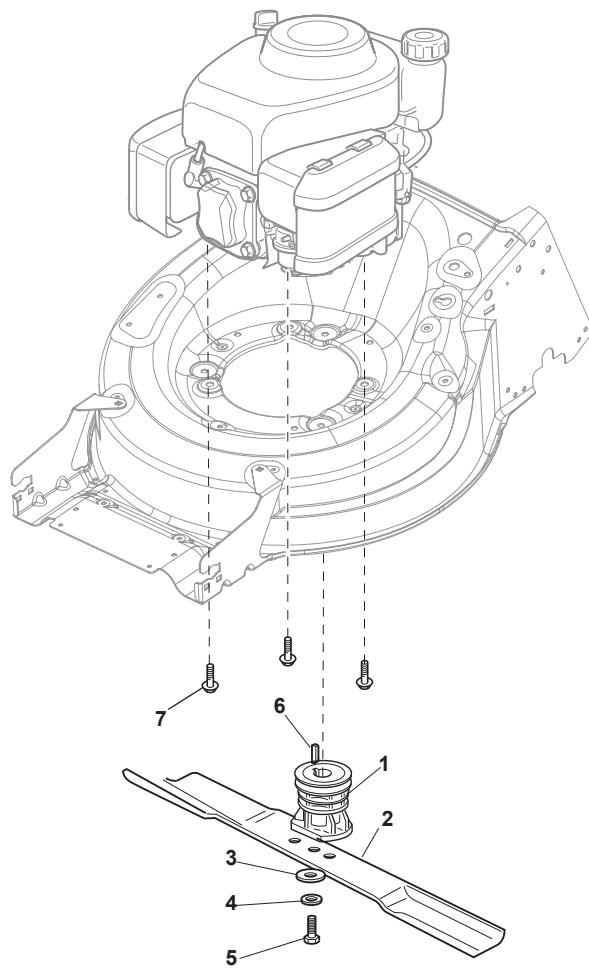


Fig.	Q.ty	Part No	Description	Notes
1	1	122465607/3	Hub With Pulley, Crankshaft Ø 22.2	for GGP and B&S Engines
1	1	122465608/2	Hub With Pulley, Crankshaft Ø 25	for HONDA Engines
1	1	122465638/1	Hub With Pulley, Crankshaft Ø 22.2	for B&S 675E -750-850 Engines
2	1	181004366/2	Blade	
3	1	122160400/0	Elastic Disc	
4	1	112523080/0	Washer	
5	1	112735698/0	Screw	
6	1	112139100/0	Feather, Crankshaft Ø 22,2	for GGP and B&S Engines
6	1	112139150/0	Feather, Crankshaft Ø 25	for HONDA Engines
7	3	112735108/1	Screw	for GGP-B&S-HONDA Engines
7	3	112735109/1	Screw	for GGP 100 Engine

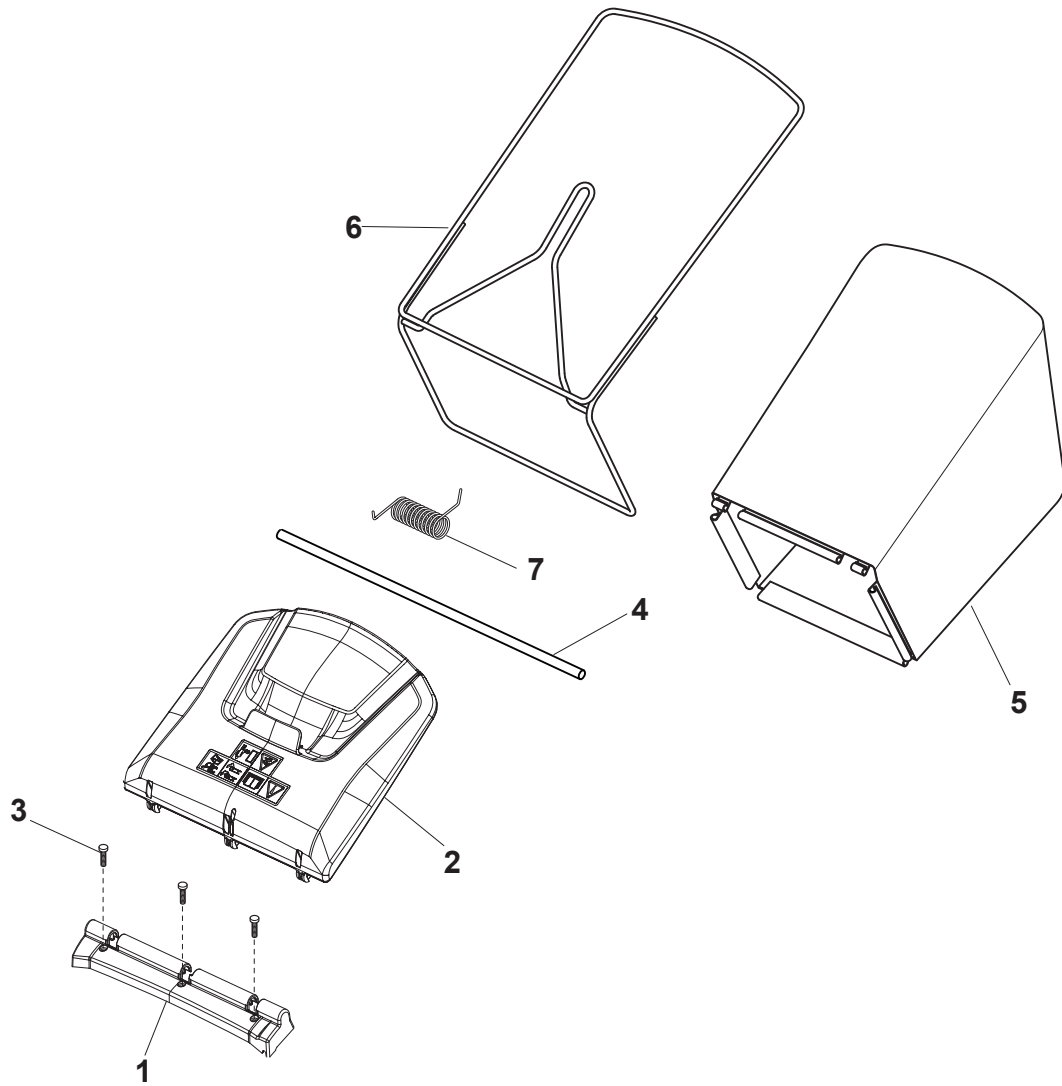




Fig.	Q.ty	Part No	Description	Notes
1	1	322109569/0	Black Stone Guard Support	
2	1	322600312/0	Stone Guard, White	
2	1	322600308/0	Stone Guard, Black	
3	3	112728697/0	Screw	
4	1	122517884/0	Pin	
5	1	181102350/0	Cancas GrassCatcher	
6	1	181006410/0	Fabric Box Frame	
7	1	122450479/0	Spring	

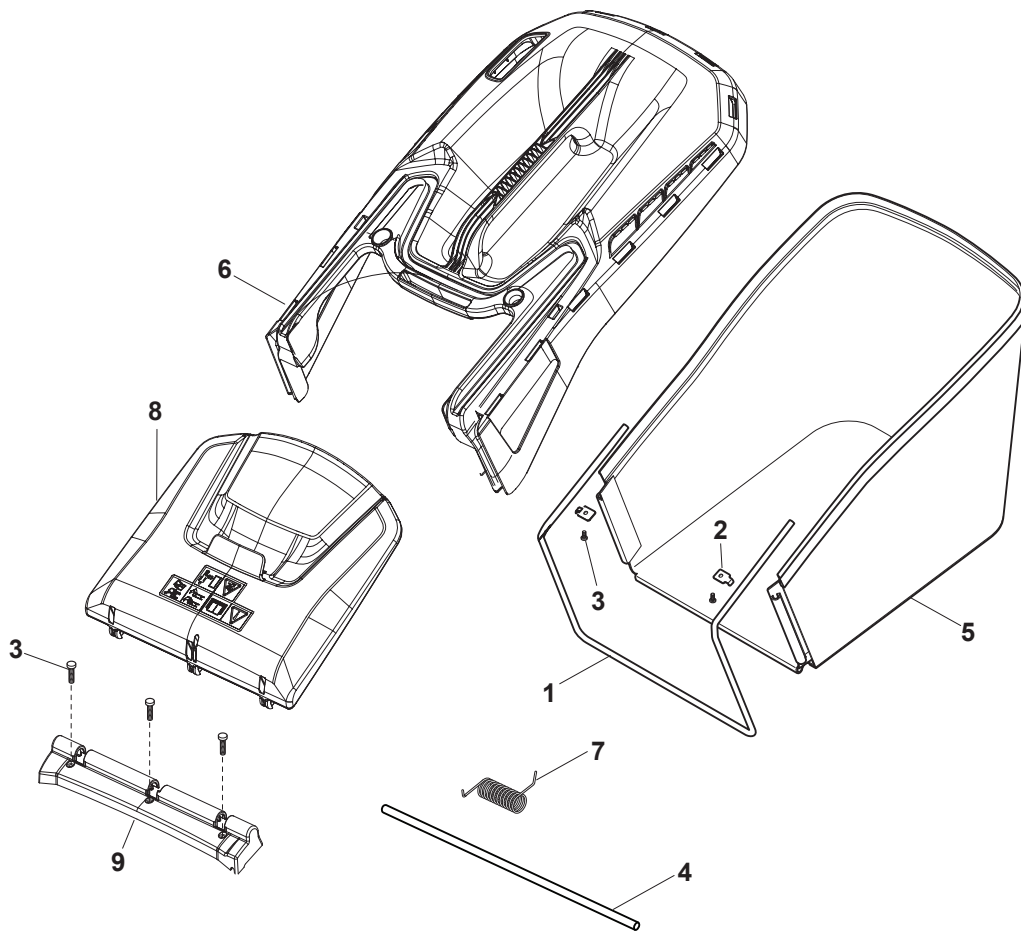


Fig.	Q.ty	Part No	Description	Notes
1	1	181006411/0	Fabric Box Frame	
2	2	322557177/0	Plate	
3	5	112728697/0	Screw	
4	1	122517884/0	Pin	
5	1	181102349/0	Cancas GrassCatcher	
6	1	322486428/0	Box, Upper Side	without indicator (Private Label)
6	1	322486427/0	Box, Upper Side	without indicator (Alpina)
6	1	381486040/0	Box, Upper Side	with indicator (Private Label)
6	1	381486039/0	Box, Upper Side	with indicator (Alpina)
7	1	122450479/0	Spring	
8	1	322600312/0	Stone Guard, White	
8	1	322600308/0	Stone Guard, Black	
9	1	322109569/0	Black Stone Guard Support	

code	pos.	q.ty	page									
112139100/0	6	1	p. 33	112815200/0	11	2	p. 31	181005539/0	12	1	p. 15	
112139100/0	6	1	p. 35	112815270/0	11	1	p. 3	181006410/0	6	1	p. 37	
112139150/0	6	1	p. 35	112815270/0	16	1	p. 5	181006411/0	1	1	p. 39	
112154210/0	9	3	p. 33	112818900/0	6	2	p. 11	181030053/0	7	1	p. 15	
112154510/0	4	1	p. 15	112819110/0	2	2	p. 11	181030053/0	7	1	p. 15	
112154510/0	4	1	p. 17	118120052/0	12	1	p. 19	181030053/0	7	1	p. 17	
112154510/0	9	1	p. 15	118204120/0	6	1	p. 19	181030053/0	7	1	p. 17	
112154510/0	9	1	p. 17	118204121/0	6	1	p. 19	181030054/0	7	1	p. 15	
112154510/0	10	2	p. 31	118204196/0	8	1	p. 19	181030054/0	7	1	p. 15	
112154510/0	11	1	p. 5	118390020/0	5	1	p. 15	181030054/0	7	1	p. 17	
112154510/0	13	2	p. 3	118390020/0	5	1	p. 17	181030054/0	7	1	p. 17	
112155000/0	8	2	p. 11	118390021/0	10	1	p. 19	181030057/0	7	1	p. 15	
112293200/0	5	2	p. 11	118450051/0	4	1	p. 19	181030057/0	7	1	p. 15	
112369500/0	10	2	p. 11	119035000/0	13	1	p. 31	181030057/0	7	1	p. 17	
112436051/0	6	2	p. 3	119216035/0	1	8	p. 25	181030057/0	7	1	p. 17	
112436051/0	35	2	p. 5	119216035/0	2	8	p. 27	181030070/0	7	1	p. 15	
112521330/0	3	1	p. 15	119216035/0	8	8	p. 23	181030070/0	7	1	p. 15	
112521330/0	3	1	p. 17	119216035/0	26	2	p. 5	181030070/0	7	1	p. 15	
112521330/0	12	2	p. 31	119216035/0	28	2	p. 3	181030070/0	7	1	p. 17	
112521350/0	8	1	p. 33	122131750/0	2	4	p. 13	181030070/0	7	1	p. 17	
112521350/0	9	2	p. 11	122160400/0	3	1	p. 33	181030070/0	7	1	p. 17	
112521371/0	32	2	p. 3	122160400/0	3	1	p. 35	181030087/0	7	1	p. 15	
112521371/0	40	2	p. 5	122170835/0	11	3	p. 33	181030087/0	7	1	p. 17	
112523040/0	12	1	p. 3	122399900/0	4	2	p. 11	181030088/0	7	1	p. 15	
112523040/0	12	1	p. 5	122430313/0	2	1	p. 15	181030088/0	7	1	p. 15	
112523080/0	4	1	p. 33	122430313/0	2	1	p. 17	181030088/0	7	1	p. 17	
112523080/0	4	1	p. 35	122446192/0	17	1	p. 3	181030088/0	7	1	p. 17	
112608600/0	27	4	p. 3	122450477/0	6	1	p. 5	181030105/0	7	1	p. 15	
112608600/0	29	4	p. 5	122450478/0	22	1	p. 5	181030105/0	7	1	p. 17	
112645708/0	17	1	p. 31	122450478/0	24	1	p. 3	181030106/0	7	1	p. 15	
112691700/0	7	2	p. 33	122450479/0	7	1	p. 37	181030106/0	7	1	p. 15	
112691700/0	12	1	p. 33	122450479/0	7	1	p. 39	181030106/0	7	1	p. 15	
112692050/0	7	3	p. 33	122450480/0	8	1	p. 3	181030106/0	7	1	p. 17	
112692050/0	12	1	p. 33	122450480/0	17	1	p. 5	181030106/0	7	1	p. 17	
112727783/0	8	1	p. 17	122465607/3	1	1	p. 33	181030106/0	7	1	p. 17	
112727788/0	8	1	p. 15	122465607/3	1	1	p. 35	181102349/0	5	1	p. 39	
112727801/0	3	6	p. 31	122465608/2	1	1	p. 35	181102350/0	5	1	p. 37	
112728300/0	1	1	p. 21	122465638/1	1	1	p. 35	322034002/0	15	1	p. 31	
112728530/0	9	2	p. 31	122517873/0	9	1	p. 3	322042064/0	3	8	p. 23	
112728691/0	2	1	p. 19	122517873/0	13	1	p. 5	322042066/0	31	2	p. 3	
112728697/0	2	6	p. 9	122517884/0	4	1	p. 37	322042068/0	39	2	p. 5	
112728697/0	3	3	p. 37	122517884/0	4	1	p. 39	322055262/0	1	1	p. 5	
112728697/0	3	4	p. 3	122519820/0	5	2	p. 3	322055263/0	2	1	p. 5	
112728697/0	3	5	p. 39	122519820/0	32	2	p. 5	322055329/0	10	1	p. 3	
112728697/0	4	6	p. 7	122534131/0	18	1	p. 3	322055524/0	4	1	p. 9	
112728697/0	8	5	p. 5	122570110/1	27	1	p. 5	322060270/0	8	1	p. 31	
112728697/0	14	1	p. 31	122570110/1	29	1	p. 3	322076570/1	3	1	p. 21	
112728697/0	34	4	p. 5	122570120/1	28	1	p. 5	322108316/0	6	1	p. 31	
112728698/0	16	4	p. 3	122570120/1	30	1	p. 3	322109533/0	11	1	p. 19	
112728698/0	19	4	p. 5	122671651/0	3	2	p. 11	322109569/0	1	1	p. 37	
112728699/0	3	2	p. 9	122753000/0	26	2	p. 3	322109569/0	9	1	p. 39	
112728699/0	4	5	p. 5	122753000/0	30	2	p. 5	322110640/0	3	2	p. 27	
112728699/0	5	2	p. 7	125943004/0	5	1	p. 5	322110643/0	1	2	p. 29	
112728699/0	7	6	p. 31	133320015/0	7	1	p. 19	322110644/0	2	2	p. 29	
112728699/0	21	5	p. 3	133320022/0	2	1	p. 21	322110645/0	3	2	p. 29	
112728702/0	1	1	p. 21	135063900/0	22	1	p. 3	322110646/0	4	2	p. 29	
112728702/0	1	2	p. 19	135063900/0	25	1	p. 5	322140245/0	16	1	p. 31	
112728706/0	1	6	p. 23	181003114/0	21	1	p. 5	322170964/0	10	1	p. 33	
112728706/0	13	1	p. 19	181003115/0	25	1	p. 3	322226214/0	2	1	p. 7	
112735108/1	7	3	p. 35	181003363/1	6	1	p. 15	322226215/0	5	1	p. 9	
112735109/1	7	3	p. 35	181003363/1	6	1	p. 17	322322855/0	19	1	p. 3	
112735698/0	5	1	p. 33	181003364/0	10	1	p. 15	322393741/0	1	1	p. 7	
112735698/0	5	1	p. 35	181003364/0	10	1	p. 17	322393742/0	6	1	p. 9	
112760605/0	11	2	p. 11	181004366/2	2	1	p. 33	322394506/0	20	1	p. 3	
				181004366/2	2	1	p. 35	322399835/0	3	4	p. 13	
				181005537/0	12	1	p. 15	322486427/0	6	1	p. 39	

code	pos.	q.ty	page				
322486428/0	6	1	p. 39	381030104/0	11	1	p. 15
322500110/0	3	1	p. 7	381030104/0	11	1	p. 17
322500111/0	1	1	p. 9	381103350/0	5	2	p. 13
322545152/0	15	2	p. 3	381302881/0	1	1	p. 3
322545152/0	18	2	p. 5	381302881/0	23	1	p. 5
322545213/0	4	2	p. 31	381302891/0	24	1	p. 5
322551640/0	12	1	p. 17	381302895/0	14	1	p. 3
322557177/0	2	2	p. 39	381486039/0	6	1	p. 39
322600205/1	33	2	p. 3	381486040/0	6	1	p. 39
322600205/1	38	2	p. 5	381600400/0	4	1	p. 21
322600247/0	34	2	p. 3				
322600247/0	37	2	p. 5				
322600308/0	2	1	p. 37				
322600308/0	8	1	p. 39				
322600310/0	5	1	p. 31				
322600312/0	2	1	p. 37				
322600312/0	8	1	p. 39				
322602026/0	3	1	p. 5				
322602027/0	9	1	p. 5				
322602028/0	10	1	p. 5				
322680016/0	4	4	p. 13				
322722800/0	5	1	p. 19				
322722801/0	3	1	p. 19				
322778473/0	20	1	p. 5				
322778473/0	23	1	p. 3				
322778475/0	7	1	p. 3				
322778475/0	15	1	p. 5				
322785305/0	2	2	p. 3				
322785305/0	33	2	p. 5				
322869695/0	4	1	p. 3				
322981471/1	7	1	p. 5				
325160039/0	14	1	p. 19				
381002047/0	31	1	p. 5				
381003253/0	6	2	p. 13				
381003365/0	6	1	p. 15				
381003365/0	6	1	p. 17				
381003366/0	10	1	p. 15				
381003366/0	10	1	p. 17				
381003475/0	14	1	p. 5				
381004776/0	7	1	p. 9				
381004777/0	7	1	p. 9				
381004786/0	6	1	p. 7				
381004787/0	6	1	p. 7				
381005195/0	1	1	p. 31				
381005197/0	2	1	p. 31				
381006739/1	1	1	p. 15				
381006739/1	1	1	p. 17				
381006745/1	1	1	p. 15				
381006745/1	1	1	p. 17				
381006785/0	1	1	p. 11				
381007416/2	2	4	p. 25				
381007417/2	4	2	p. 25				
381007442/1	4	2	p. 23				
381007445/1	6	2	p. 23				
381007448/1	9	2	p. 23				
381007455/1	11	2	p. 23				
381007462/1	2	2	p. 23				
381007463/1	7	2	p. 23				
381007466/1	5	2	p. 23				
381007467/1	10	2	p. 23				
381007477/0	1	2	p. 27				
381007478/1	4	2	p. 27				
381007563/0	1	1	p. 13				
381008730/0	12	1	p. 11				